



# MC2000

Moisture Analyzer



## *Taking Moisture Determination in Agricultural Applications to the Next Level*

Combining efficiency and reliability, the MC2000 Hand Held Grain Moisture Analyzer is designed for accurate determination of grain moisture content in agricultural applications, including quality control and storage. Simple to set up and operate with a user-friendly interface, the MC2000 increases productivity in your operation with fast and reliable results. MC2000 features a compact design, and is durably built for repetitive use.

### *Standard Features Include:*

- **Easy-to-Use with Simple Touch Button Operation & User-Friendly Interface**  
No sample preparation or grinding needed with MC2000's whole grain analysis. To operate, simply select grain type on the interface, place sample (whole kernel) in the vessel and get results automatically.
- **Ideal for Routine Moisture Analysis with Fast & Reliable Results**  
With results within 5 seconds, the MC2000 is geared for routine grain moisture analysis. Automatic temperature compensation system adjusts any external temperature influences, ensuring accuracy.
- **Versatile Use with Multiple Measurement Modes**  
With 50 procedures in the library (10 pre-programmed), MC2000 is designed to measure moisture content in a wide variety of grains.

# MC2000 Moisture Analyzer

Model	MC2000
Moisture Range	3 %-45 %
Readability	0.1 %
Repeatability	0.2 %
Sample Volume	220 ml
Power	4AA batteries (included)
Operating Temperature Range	0 °C-50 °C
Display Type	Liquid crystal display (LCD) with backlight
Displays	% Moisture, Weight, Density, Statistics, Temperature
Sample Category	50 (10 pre-programmed)
Dimensions (W × H × D)	19 × 20 × 12 cm
Net Weight	0.8 kg
Shipping Weight	2.6 kg

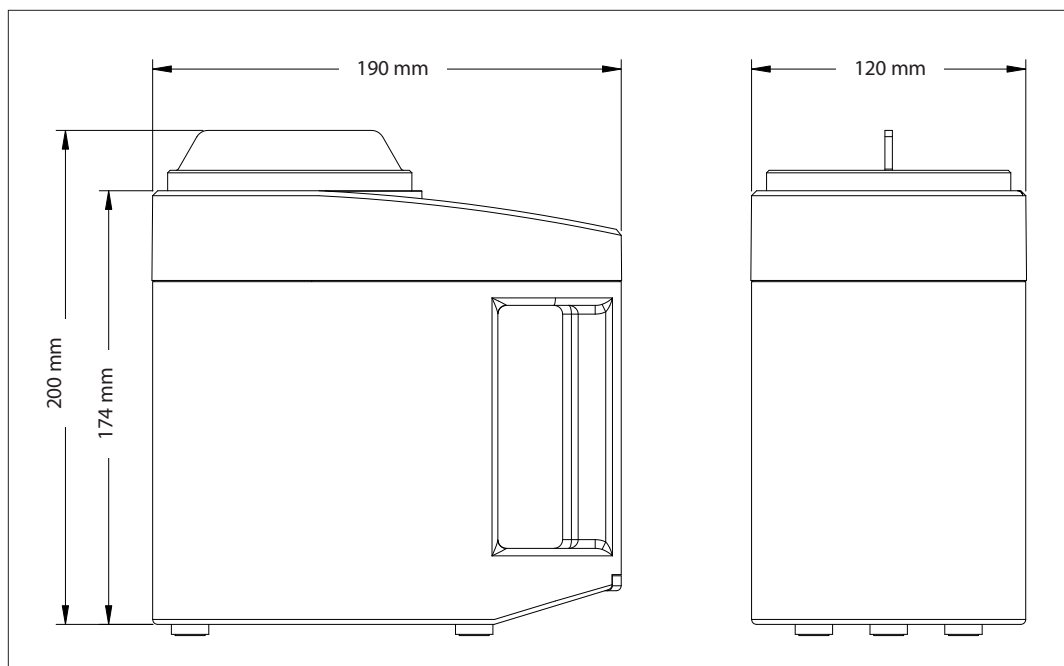
## Other Standard Features and Equipment

Weight Calibration, Adjustment, Category Setup, Automatic Power Off, Automatic Temperature Compensation

## Compliance

- **Product Safety:** CE, CSA/UL and FCC approved

## Dimensions



**OHAUS CORPORATION**  
\* 7 Campus Drive  
Suite 310  
Parsippany, NJ 07054 USA

[www.ohaus.com](http://www.ohaus.com)

*With offices throughout  
Europe, Asia, and  
Latin America*

\* **ISO 9001:2008**  
Registered Quality  
Management System  
30295301

80775058 © Copyright OHAUS Corporation





# MB120 & MB90

Moisture Analyzer



## *Professional Moisture Analyzers for Advanced Moisture Analysis*

Measuring moisture content has never been easier than with the MB120 and MB90 Moisture Analyzers. Geared to increase precision and efficiency in the lab, these Moisture Analyzers feature a precisely-controlled halogen heating system which helps to yield fast and repeatable results with readability up to 0.01%. The robust housing and die-cast structure is designed for easy, tool-free cleaning and durability. An intuitive touchscreen icon-driven menu guides users through every step of the operation process.

### *Standard Features Include:*

- **Define your Drying Parameters and Store Up to 100 Methods for Easy Recall**  
MB120's Temperature Guide helps to analyze a sample and determine the optimal drying temperature. You can store up to 100 methods and 1000 total results, for statistical analysis of measurements. Three levels of user management are available to meet individual user requirements and ensure data safety.
- **Increase Efficiency in your Lab with Fast Heating Halogen Technology that Yields Precise Results**  
A precisely controlled halogen heating system distributes heat uniformly over the sample, ensuring fast and repeatable results. Four selectable drying profiles for easy one-step drying and six shut-off criteria to automatically end the test (once moisture loss is no longer detected) are available in the MB120.
- **Effortless Cleaning with the Tool-Free Cleaning Structure**  
Designed with convenient maintenance in mind, no tools are required for cleaning these moisture analyzers. Simply remove the glass and tray to clean the sample chamber. The robust housing and die-cast base guarantee durability.
- **Operate Intuitively Using Icon-Based Navigation on the Color Touchscreen Display**  
You can access all of the MB120 and MB90's features and parameters on the easy-to-read color touchscreen display. The intuitive icon-based navigation guides users through every step of the operation process.

# MB120 & MB90 Moisture Analyzers

Model	MB120	MB90
Capacity	120 g	90 g
Readability	0.01 %/0.001 g	0.01 %/0.001 g
Repeatability (Std Dev) (g)	0.05 % (3 g sample) 0.015 % (10 g sample)	0.18 % (3 g sample) 0.02 % (10 g sample)
Moisture Range	0.01 % to 100 % (0.01 % to 1000 % for regain mode)	0.01 % to 100 % (0.01 % to 1000 % for regain mode)
Output	RS232, USB host, USB device	
Heating Element	Halogen	
Temperature Range	40 °C-230 °C	40 °C-200 °C
Power	120 or 240 VAC 50/60 Hz	
Operating Temperature Range	10 °C to 40 °C	
Display Type	4.3", QVGA, TFT touch screen	
Display Results	%moisture, %solids, %regain, time, temperature, weight, method name, drying curve and statistics	
Pan Size	90 mm	
Dimensions (W × H × D)	210 × 180 × 350 mm	
Net Weight	5.23 kg	
Shipping Weight	8.35 kg	

## Compliance

- Models are CE, UL listed, CSA approved and FCC approved

## Accessories

Pan Holder, MB90 MB120.....	30246947
In-Use-Cover, Accessory, MB90 MB120 .....	30284478
Scoop, Accessory, MB90 MB120 .....	30284477
Temperature Calibration Kit .....	11113857
Anti-Theft Device, MB AX EX.....	80850043
Pan, Aluminum, Set(80), MB Series .....	80850086
Filter, Glass Fiber, Set(200).....	80850087
Cage, Sample, MB Series.....	80252477
Pan, Reusable, Set(3), 7mm, MB Series.....	80252478
Pan, Reusable, Set(3), 14mm, MB Series .....	80252479
Printer, Impact, SF40A.....	30045641

**OHAUS CORPORATION**  
 \* 7 Campus Drive  
 Suite 310  
 Parsippany, NJ 07054 USA

[www.ohaus.com](http://www.ohaus.com)

*With offices throughout  
 Europe, Asia, and  
 Latin America*

\* ISO 9001:2008  
 Registered Quality  
 Management System

80774980 © Copyright OHAUS Corporation

