

# Sulfur Dioxide Transmitter

## E2618-SO2



### Features

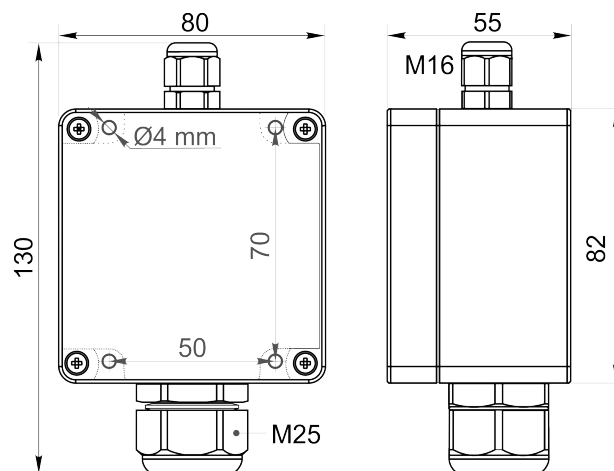
- Wall-mount or duct-mount version
- Industrial IP65 housing
- Two analog outputs settable to 4-20 mA or 0-10 V
- RS485 Modbus RTU digital interface
- Attached or remote sensor

### Specifications

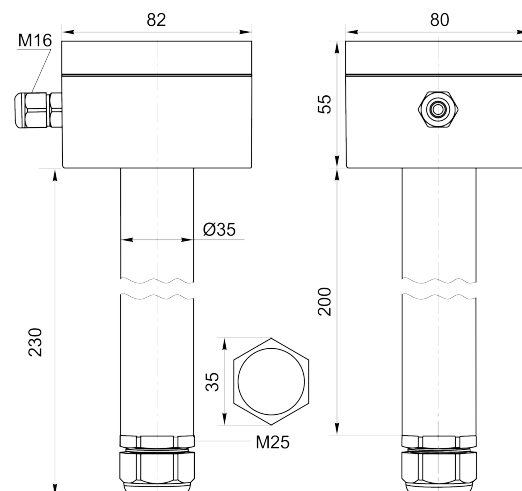
Calibration	Sulfur dioxide SO <sub>2</sub>
Sensor type	Electrochemical
Sampling method	Diffusion
Typical detection range	0-50 ppm
Maximum overload	100 ppm
Resolution/digital unit	0.1 ppm
Response time T90	< 35 s
Signal update	Every 1 second
Sensor lifetime	> 2 years
Maintenance interval	6 months
Self-diagnostics	Full functionality check at start-up
Warm-up time	≤ 1 min
Power supply	11...30 VDC or 24 VAC
Power consumption	< 2 VA
Digital interface	RS485, Modbus RTU protocol
Analog outputs	2 × 4-20 mA / 0-10 V, user settable
Output scale width	Recommended: 20-100% of the range; > 10 × resolution in any case
Enclosure	Grey ABS plastic, wall mount, protection class IP65
Dimensions	H82 × W80 × D55 mm
Remote sensor probe	Protection IP65, shielded cable default cable length 3.0 m
Operating environment	Industrial indoor and outdoor locations
Operating conditions	-30...+50 °C; 15...90% RH non-condensing; 0,9...1,1 atm; Explosion-safe areas Non-aggressive atmosphere

**NOTE!** We offer technical solutions for extreme humidity, please ask for more information.

### Wall mount version



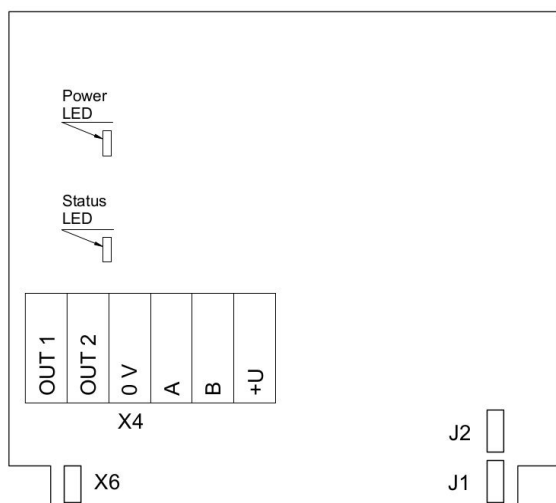
### Duct mount version



Ask for other versions or custom designed products



## Connection diagram



PCB without PSU and relays

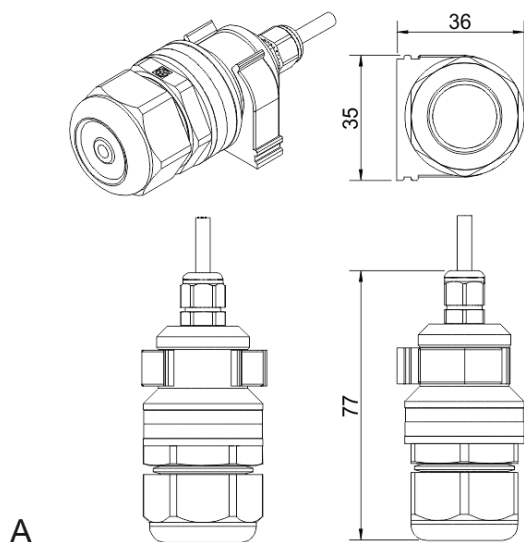
### Jumpers

- J1**                   OUT1 type (open: 4-20 mA; closed 0-10 V)
- J2**                   OUT2 type (open: 4-20 mA; closed 0-10 V)
- X6**                   Reset Modbus network parameters to default

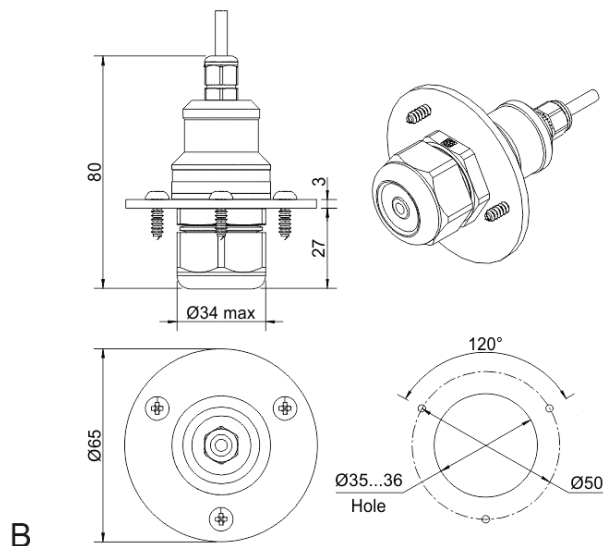
### X4 terminals

- OUT1**               4-20 mA / 0-10 V output
- OUT2**               4-20 mA / 0-10 V output
- 0V**                   0 V / 24 VAC Neutral (optional)
- A**                    RS485 A / Data +
- B**                    RS485 B / Data -
- +U**                  +24 VDC / 24 VAC Phase (optional)

## Remote probe



Wall mount remote probe with fixing clamp (default version)



Remote probe with rubber flange and three self-tapping screws (on request)

